



Pre-Release Product Notification

ASTRO

The Brilliant Entry Level Street Light



ASTRO

The Brilliant Entry Level Street Light

This document contains pre-release information on an entry-level street lighting product that will serve the highly reliable, no frills competitive market. The ASTRO series is likely to gradually replace the lower Galaxy models with its more efficient cost structure and better performance.

The broad characteristics of the ASTRO series street lights are:

1. The ASTRO will available in three configurations:
 - a. AST18 – 18 Rebel ES LED
 - b. AST24 – 24 Rebel ES LED
 - c. AST36 – 36 Rebel ES LED

2. All will be equipped with ambient sensors that will be factory pre-set to turn the lights on/off and provide two levels of dimming at 40% and 70% based on the ambient light levels. The dimming levels are fixed and not changeable.

3. The sensors can be disabled upon order

4. The maximum tilt on the light will be 45 degrees.

5. The product will be launched initially using a 700MAmp drive current and Philips Lumileds REBEL ES V-Bin chips that will produce around 200 lumens per LED for a total:
 - a. AST18 – 3600 Lm
 - b. ASY24 – 4800 Lm
 - c. AST36 – 7200 Lm



6. Over the following months, Philips Lumileds will introduce an enhanced LED die that will raise performance to around 220 lumens per LED totaling:
 - a. AST18 – 4000 Lm
 - b. AST24 – 5280 Lm
 - c. AST36 – 7920 Lm

7. ASTRO LEDs will be available in cool white (6K) and neutral white (4K) color temperature.

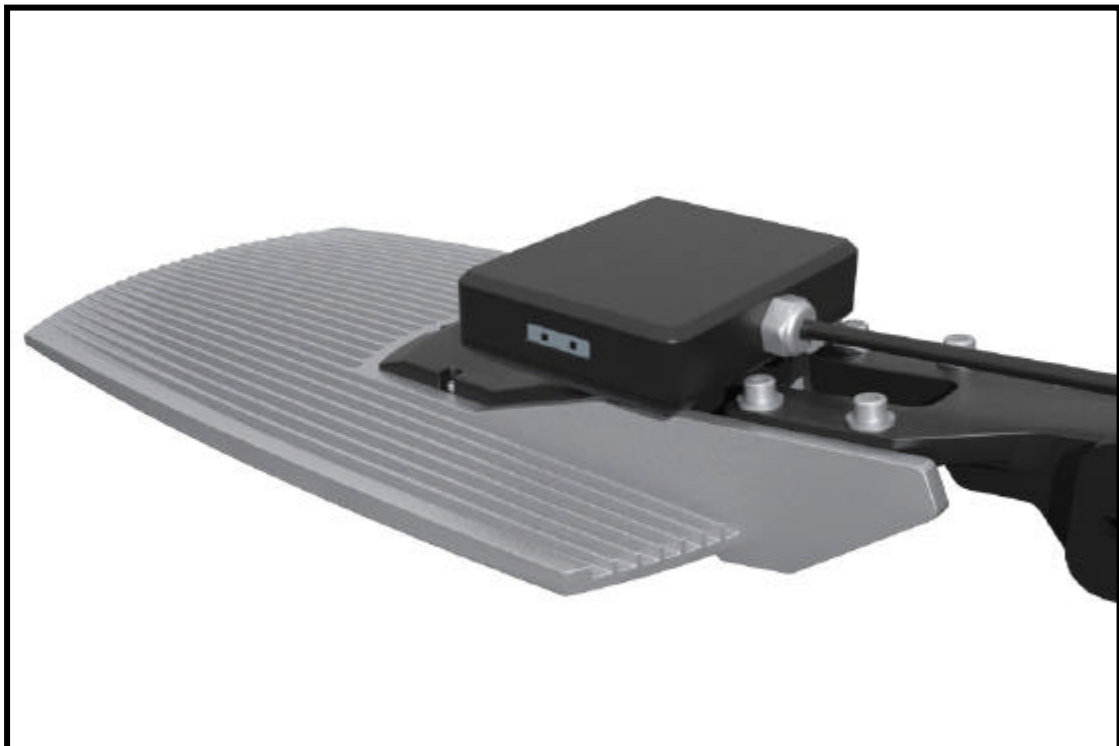
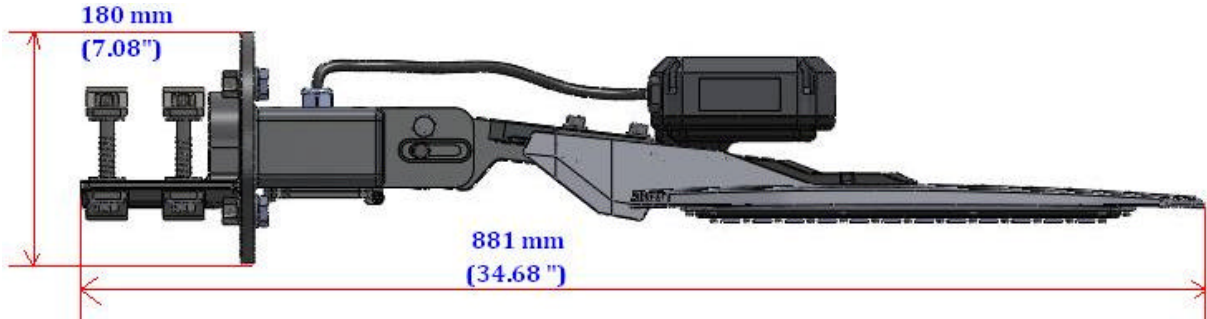
8. Preliminary data sheet follows:

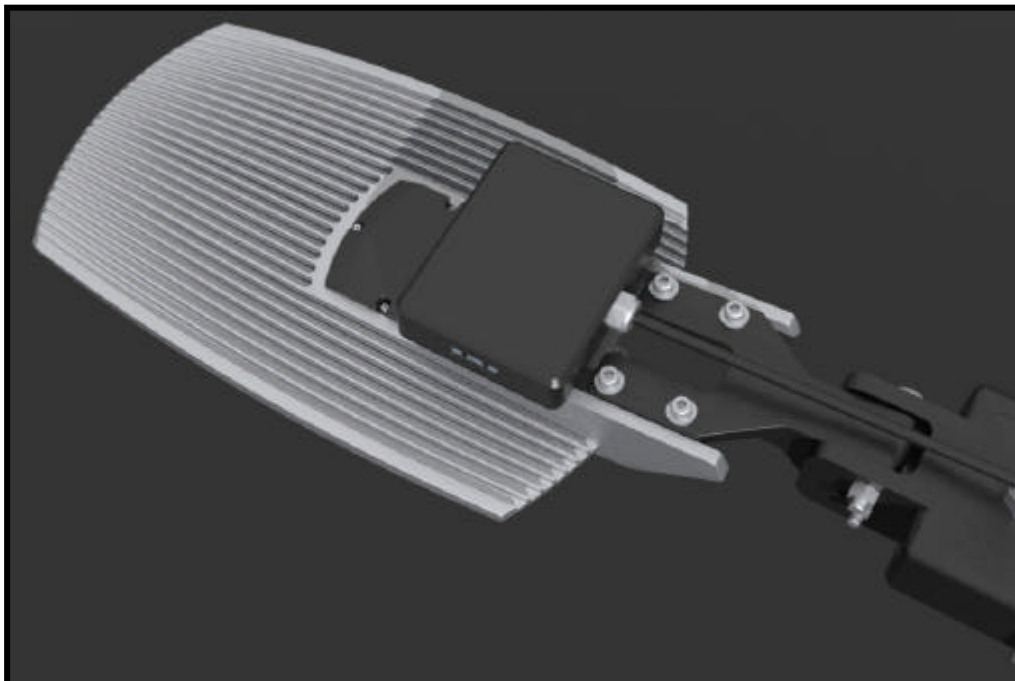
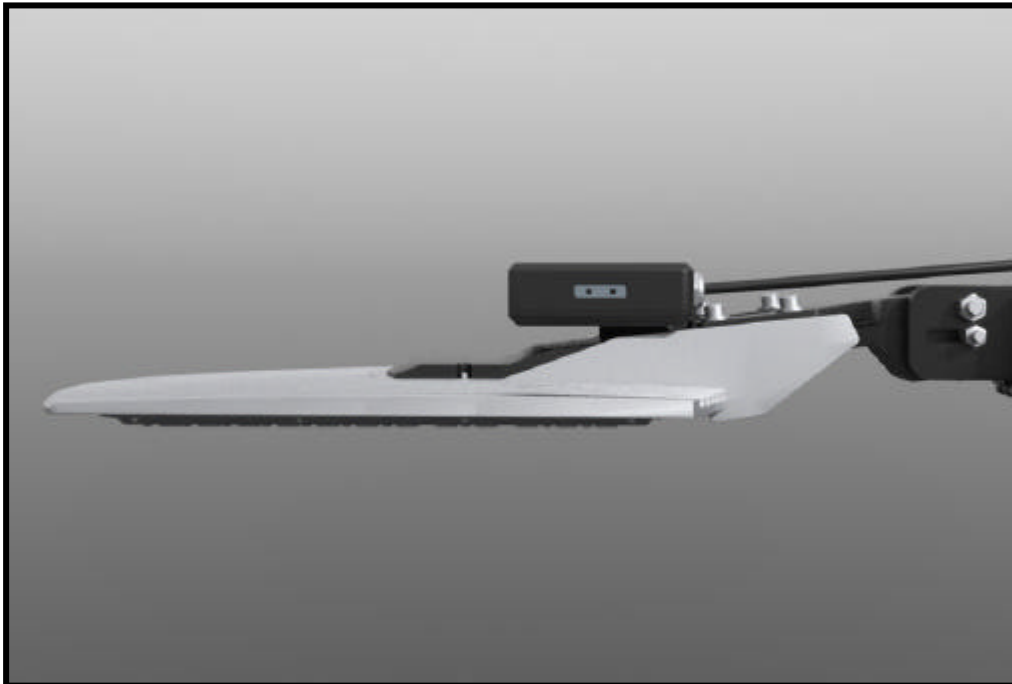


Parameter	Value	Compliance		
Electrical Parameters				
Input Voltage	90VAC – 277VAC (Phase-Neutral, Phase-Phase)	cETL Certified - Driver cETL Certified – Luminary RoHS Compliant		
Frequency Range	50/60Hz			
Power Factor(PF)	>0.9			
Total Harmonic Distortion (THD)	<10%			
Driver Efficiency	>0.85 +/- 3%			
LED Forward Voltage	2.87 Vdc/Led +/- 5%			
LED Forward current	700 mAmps +/- 5%			
System Wattage	2.45 W/Led +/- 10%			
Optical				
Light source	Philips Lumiled, Rebel ES (V-Bin)	LM-80 (LED Source) LM-79 (Luminary)		
L70 Hours	60,000 hours			
Initial Lumens (LED Chip)	210 lm/Led @ 700mA @ 25degC +/- 5%			
CRI	> 75			
Light Efficacy	> 72 lm/W +/- 5%			
Beam angle	60deg (Medium angle) or 120deg (Wide Angle)			
Smart Feature				
Operation	Manual / Auto ON OFF (Factory Set)			
Dimming	3 stage ambient based dimming (Factory Programmed 40%, 70%, 100%)			
Environmental				
Operating temperature	-25°C to +40°C	ETL (UL1598)		
Operating humidity	10% to 90% (Suitable for Wet Location)			
Storage temperature	10°C to 55°C			
Mechanical				
Dimensions	34.68" (L) x 7.08" (H) x 11.02" (W)	RoHS Compliant		
Weight	Approx 10kg (20 lbs)			
Casing material	AL alloy & PC			
Available Models				
No of LED		18	24	36
System Wattage (in Watts) +/- 10%		46	60	90



Product Picture





GreenStar Products Inc.
6900 Alamo Downs Parkway, Ste. 120, San Antonio, TX 78238, USA
www.greenstarled.com